

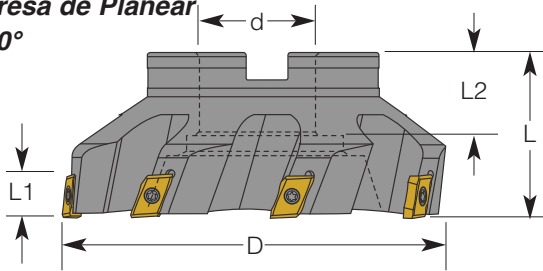
MEGAMILL — Face Mills and Shell Mills


Patented, Breveté, Patentato

The Only Helical Positive Indexable Cutter
L'unique Fraise Hélicoidale avec Coupe Positive
La Unica Fresa Hélicoidal con Corte Positivo

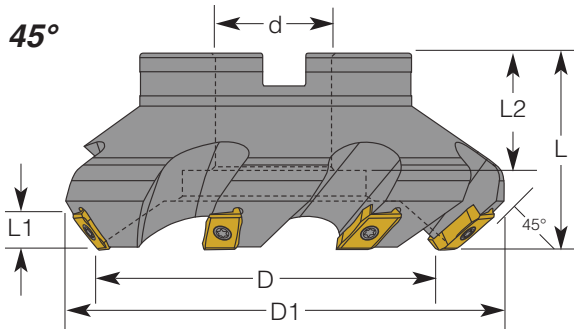
INCH SERIES


Face Mill
Fraise à Surface
Fresa de Planear
90°



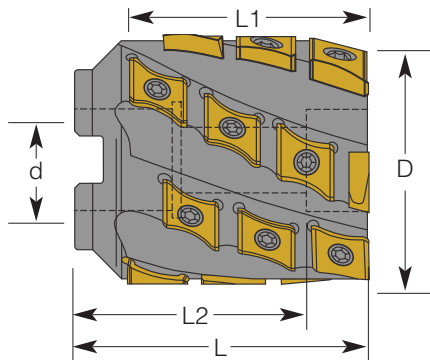
TOOL NO.	DIMENSIONS IN INCHES					NO. OF FLUTES Z	INSERTS NO. 
	D	d	L1	L2	L		
MIF-64900475	2.0	.75	.44	.87	2.0	5	CMSI-465
MIF-80900575	2.5	.75	.63	.87	2.0	5	CMSI-620
MIF-96900610	3.0	1.00	.63	.87	2.0	6	CMSI-620
MIF-128900712	4.0	1.50	.63	1.25	2.5	7	CMSI-620
MIF-160900815	5.0	1.50	.63	1.50	2.5	8	CMSI-620
MIF-192900920	6.0	2.00	.63	1.50	2.5	9	CMSI-620
MIF-256901325	8.0	2.50	.63	1.37	2.5	13	CMSI-620
MIF-320901725	10.0	2.50	.63	1.37	2.5	17	CMSI-620



Face Mill
Fraise à Surface
Fresa de Planear
45°



TOOL NO.	DIMENSIONS IN INCHES						NO. OF FLUTES Z	INSERTS NO. 
	D	d	L1	L2	L	D1		
MIF-80450575	2.48	.75	.30	.87	2.0	3.15	5	CMSI-465
MIF-96450610	3.15	1.00	.30	.87	2.0	3.94	6	CMSI-465
MIF-128450712	3.94	1.50	.40	1.25	2.5	4.92	7	CMSI-620
MIF-160450815	4.92	1.50	.40	1.50	2.5	5.90	8	CMSI-620
MIF-192450920	6.30	2.00	.40	1.50	2.5	7.28	10	CMSI-620
MIF-256451325	7.87	2.50	.40	1.37	2.5	8.82	12	CMSI-620
MIF-320451725	9.84	2.50	.40	1.37	2.5	10.78	16	CMSI-620

Shell Mill



TOOL NO.	DIMENSIONS IN INCHES					NO. OF FLUTES Z	INSERTS NO.			
	D	d	L1	L2	L			Qty		Qty
MIS-80214	2.5	1.00	2.10	2.18	2.87	4	CMSI-620	10	CMEI-687W	2
MIS-96286	80	1.25	2.85	2.37	3.62	6	CMSI-620	18	CMEI-687C	3
MIS-128326	100	1.50	3.23	2.62	4.00	6	CMSI-620	24		3