

MEGAMILL – Face Mills and Shell Mills

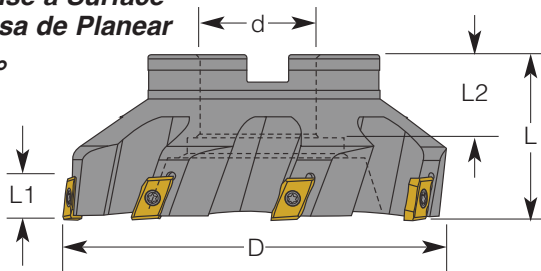
Patented, Breveté, Patentato


The Only Helical Positive Indexable Cutter
 L'unique Fraise Hélicoidale avec Coupe Positive
 La Unica Fresa Hélicoidal con Corte Positivo

METRIC SERIES

Face Mill
 Fraise à Surface
 Fresa de Planear

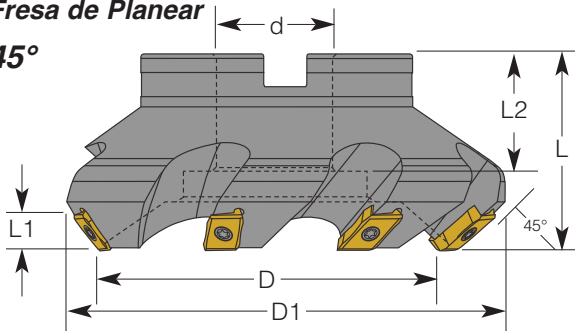
90°




TOOL NO.	DIMENSIONS IN MM						NO. OF FLUTES	INSERTS NO. 
	D	d	L1	L2	L	Z		
MMF-50900422	50	22	11.5	22	50	5	CMSI-465	
MMF-63900522	63	22	15.5	22	50	5	CMSI-620	
MMF-80900627	80	27	15.5	22	50	6	CMSI-620	
MMF-100900732	100	32	15.5	32	63	7	CMSI-620	
MMF-125900840	125	40	15.5	38	63	8	CMSI-620	
MMF-160900940	160	40	15.5	38	63	9	CMSI-620	
MMF-200901360	200	60	15.5	35	63	13	CMSI-620	
MMF-250901760	250	60	15.5	35	63	17	CMSI-620	

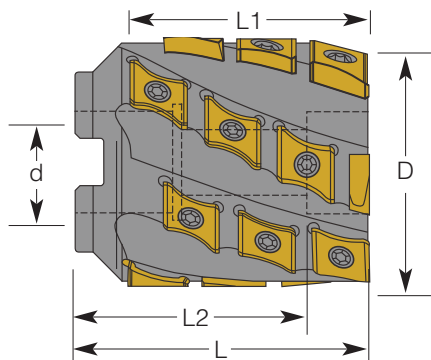
Face Mill
 Fraise à Surface
 Fresa de Planear



45°



TOOL NO.	DIMENSIONS IN MM							NO. OF FLUTES	INSERTS NO. 
	D	d	L1	L2	L	D1	Z		
MMF-63450522	63	22	7.5	22	50	80	5	CMSI-465	
MMF-80450627	80	27	7.5	22	50	100	6	CMSI-465	
MMF-100450732	100	32	10.0	32	63	125	7	CMSI-620	
MMF-125450840	125	40	10.0	38	63	150	8	CMSI-620	
MMF-160450940	160	40	10.0	38	63	185	10	CMSI-620	
MMF-200451360	200	60	10.0	35	63	224	12	CMSI-620	
MMF-250451760	250	60	10.0	35	63	274	16	CMSI-620	

Shell Mill



TOOL NO.	DIMENSIONS IN MM						NO. OF FLUTES	INSERTS NO.			
	D	d	L1	L2	L	Z		Side Insert	Qty	End Insert	Qty
											
MMS-63534	63	27	53	55	73	4	CMSI-620	10	CMEI-687W	2	
MMS-80726	80	32	72	60	92	6	CMSI-620	18	CMEI-687C	3	
MMS-100826	100	40	82	66	102	6	CMSI-620	24		3	